



## 60.320A GapSeal-Pro™

Seals the Gap Between Drywall & Tile Flange on Shower Floors and Bathtubs



Adhesive backed GapSeal-Pro™ tile flange seal can be easily trimmed to length.



When properly installing drywall or like-surfaces above a shower base or bathtub, the 1/4" gap between the top of the tile flange and finished wall should be carefully sealed with a high grade silicone sealant. Unfortunately, drywall installers fail to make that seal in most installations.

Mustee's patent-pending GapSeal-Pro™ tile flange seal solves that problem by sealing the gap and "extending" the tile flange to create a water barrier behind drywall or like-surfaces.

### Features:

- Made of flexible PVC, remains pliable & crack-resistant for years
- Effectively seals the gap between drywall or like-surfaces and tile flange – No caulking required!
- Includes high strength adhesive backing for easy mounting – No tools required to install
- Can be easily cut to length – Applies in seconds
- 132" long x 2" wide GapSeal-Pro™ is included in each package
- Mildew / mold-resistant



GapSeal-Pro™ is positioned to overlap the tile flange and extend up the stud to create an effective water barrier.

### Specifications

**General:** Furnish and install as shown on plans, GapSeal-Pro™ tile flange seal as manufactured by E.L. Mustee & Sons, Inc. GapSeal-Pro™ tile flange shall be a flexible, PVC designed to seal the gap between drywall/like surfaces and the tile flange of shower bases or bathtubs. Includes heavy duty adhesive backing for mounting.

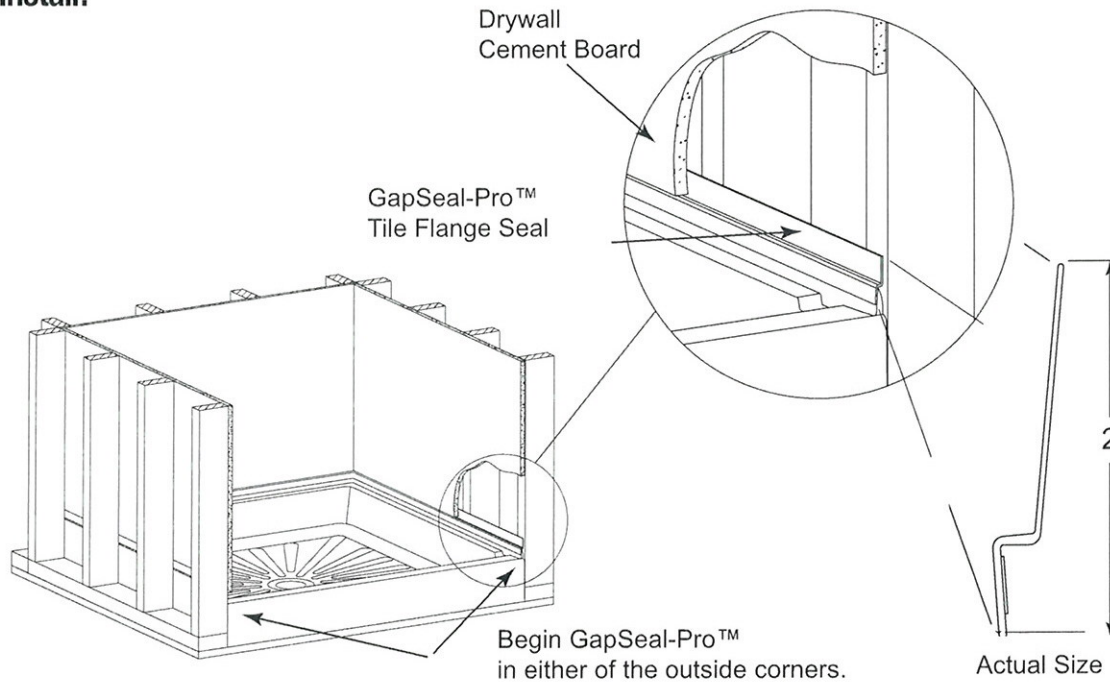
Model	H x L
60.320A	2" x 132"



## 60.320A GapSeal-Pro™

Seals the Gap Between Drywall & Tile Flange on Shower Floors and Bathtubs

### How To Install:



- 1.) Install shower floor or bathtub following manufacturers instructions.
- 2.) Mustee's GapSeal-Pro™ adhesive mounts to the 1" tile flange.
- 3.) Make sure that the tile flange is clean and dry before installation.
- 4.) Start at the open front corner. The offset is designed to rest on the top of the 1" tile flange.
- 5.) Remove adhesive backing as you install the GapSeal-Pro™. (Do not remove all the adhesive backing at one time.)
- 6.) Install in one continuous length and cut off the excess at the end.
- 7.) Once the GapSeal-Pro™ is in place, press firmly.
- 8.) The 1-1/2" extension can be stapled to the stud supports to hold in place.

### Installation Questions:

Contact E.L. Mustee & Sons, Inc. at 216-267-3100  
Monday thru Friday's 8:30 am to 4:00 pm EST

Visit [www.mustee.com](http://www.mustee.com)

View the complete line of Mustee products.



To reorder, specify ADV-508

Notice: Our continuous commitment to product improvement may result in changes to product specifications without notice. Patented and patents pending. ADI/2-12/NM. Made and Printed in U.S.A.

# E. L. Mustee & Sons, Inc.

Manufacturers of Quality Plumbing Products

5431 West 164<sup>th</sup> Street • Brook Park, OH 44142 • 216- 267-3100 • Fax 216-267-9997

## 60.320A GapSeal-Pro

Effectively seals the gap between the drywall and tile flange on any shower floor or bathtub – no caulking required. Order individually or 5 pack.

Suggested List Price: \$25.47

<u>Model #</u>	<u>Description</u>	<u>1 - 23</u>	<u>24 - 49</u>	<u>50 &amp; Over</u>
----------------	--------------------	---------------	----------------	----------------------

### Wholesaler Net Price List PL-163

60.320A	GapSeal-Pro	\$13.63	12.74	10.95
60.320AK	GapSeal-Pro 5 pack	\$12.38	11.57	9.95

### Warehouse Price List PL-WHSE-34

60.320A	GapSeal-Pro	\$14.77	13.88	11.79
60.320AK	GapSeal-Pro 5 pack	13.42	12.61	10.71

K101-365